

Features

Series:	T
Type:	40
Code:	07.425.141.11
Description:	T401210ENC12C12
Customer's code:	-
Colour:	Black

Last drawing

Index:	-	Date:	-
--------	---	-------	---

Application

-

Driveline data

X	1 3/8" Z6 DIN 9611
Y	1 3/8" Z6 DIN 9611
E	1065
I	1080
P	995

Overlap

	Steel tubes	Guard
Max.	1040	975
Min.	345	280

Greasing point

1)	-
2)	-

The dimensioning is cross to cross

Cross and tubes



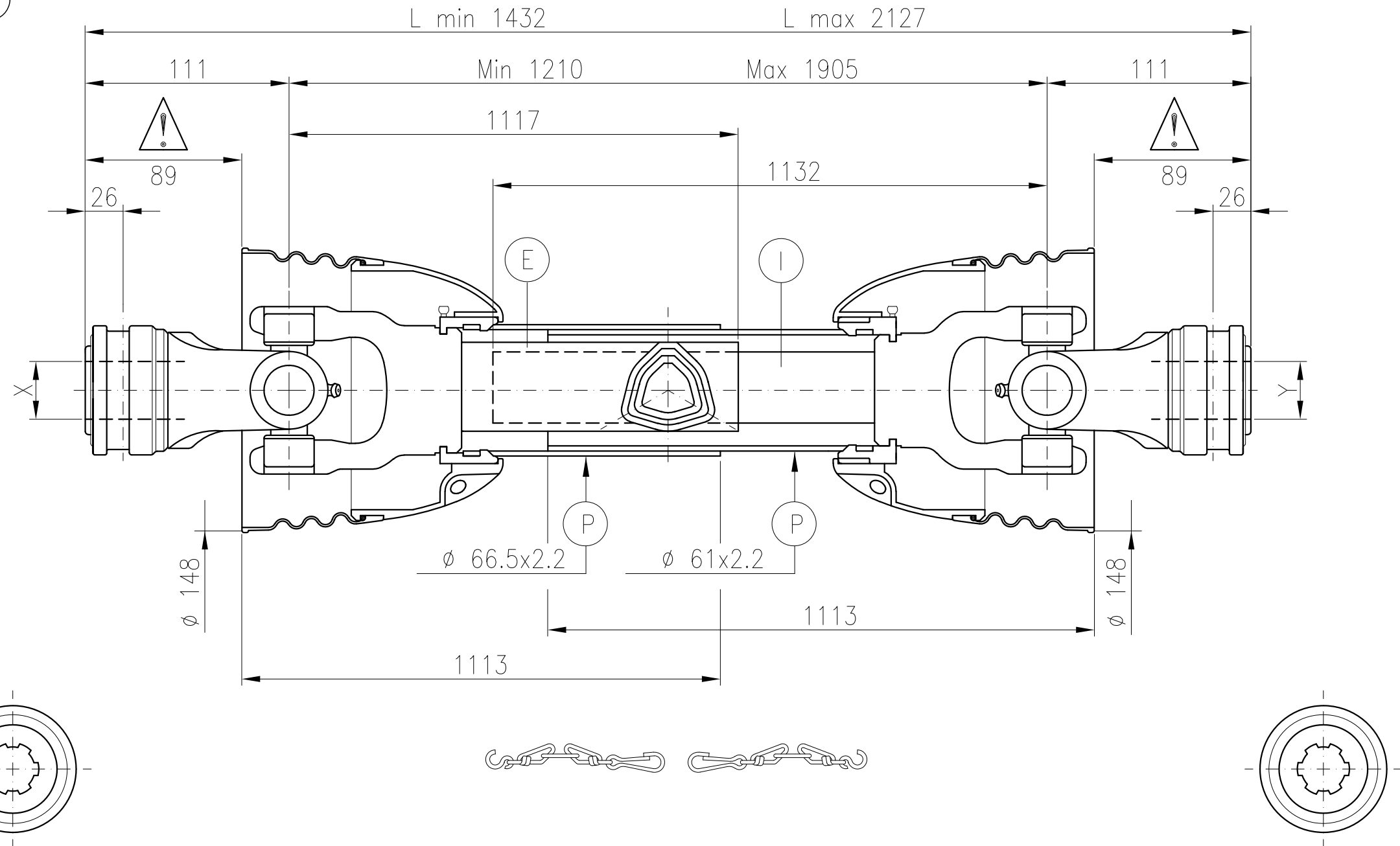
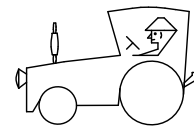
End fittings		Max. torque
Tractor	Cod: C12	-
Implement	Cod: C12	-

Notes:

CE CERTIFIED

Warning !

Sections of driveline marked are not shielded and must be shielded by an interactive guarding system. COMER spa declines responsibility if proper guards are not provided or maintained.



Data 540 r.p.m.			
KW	CV	Nm.	in.lb.
26	35	460	4050

Data 1000 r.p.m.			
KW	CV	Nm.	in.lb.
40	55	380	3350

1100 min. ⁻¹ r.p.m. max.

Data for only critical velocity	
540 r.p.m.	1000 r.p.m.
Max.	-
L max.	-

Customer:	-
Date:	02-09-20

Continuous operation data and conditions, working angle 5°, average life 1000 hours

Checked: Signed by: A.Sa.